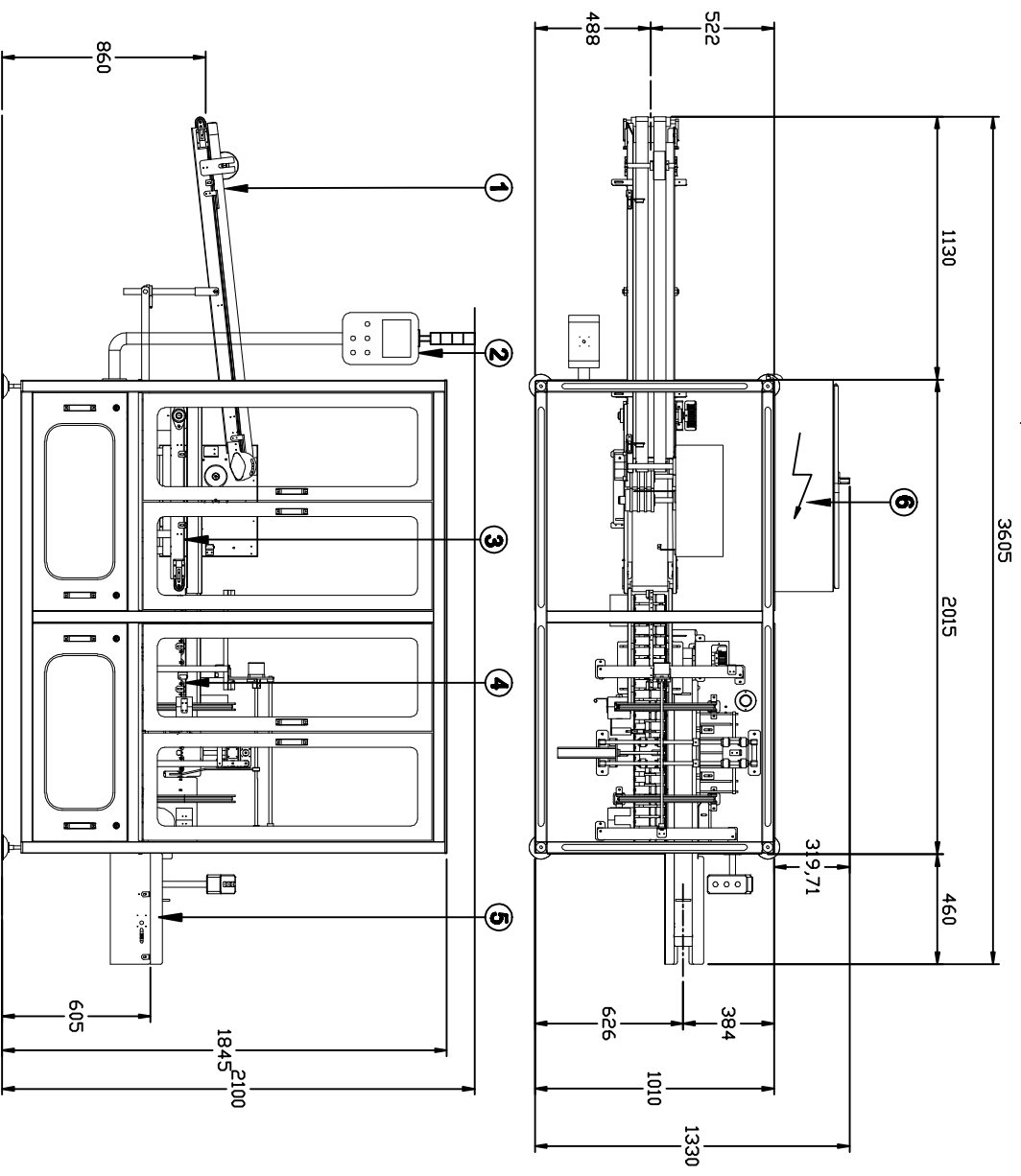


- 1. INFEED CONVEYOR
- 2. OPERATING PANEL
- 3. 2' FOLDING CONVEYOR
- 4. ROLLER CONVEYOR
- 5. OUTLET CONVEYOR
- 6. ELECTRICAL PANEL



**MACHINE DIRECTION - LEFT TO RIGHT**

Designed by FPR	Drawn by ASK	Approved by GRN	3rd Angle Projection	DATE 13/04/2023	SCALE NTS
PROJECT: XXXX			ASSEMBLY: LAYOUT		
<b>USHA MACHINE TOOLS</b> <small>General Machine Tools, Specialized Services, Value for Money</small>			TITLE: 2' FOLD + COLLATOR MACHINE		
DRG.-NO. FZ-240-02			EDITION	SHEET	